



家用电器

电源应用整体解决方案

Household Appliances Power Solutions

杭州士兰微电子股份有限公司
Hangzhou Silan Microelectronics Co.,Ltd.

2018年7月

家用电器 电源应用整体解决方案 Household Appliances Power Solutions



方案目录 Solution Catalogue

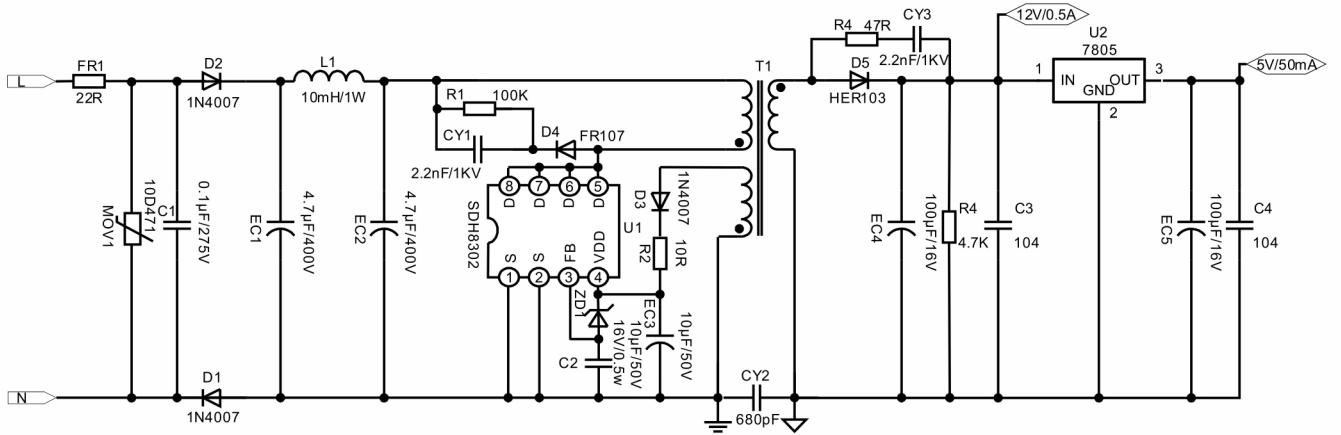
Product	Specification	SW Voltage	$R_{ds(on)}$	Standby Power	I_{peak}	Output power	Output Voltage	Package
SDH8302	Low standby power	650V	18Ω	<100mW	0.4A	5W	12V~24V	DIP8
SDH8302S	Low standby power	650V	18Ω	<100mW	0.4A	5W	12V~24V	SOP8
SDH8303	Low standby power	650V	10Ω	<100mW	0.6A	10W	12V~24V	DIP8
SDH8322	Low standby power; Programmable Vo	650V	18Ω	<75mW	0.4A	5W	12V/15V/18V	DIP7
SDH8322S	Low standby power; Programmable Vo	650V	18Ω	<75mW	0.4A	5W	12V/15V/18V	SOP8
SDH8323	Low standby power; Programmable Vo	650V	10Ω	<75mW	0.6A	10W	12V/15V/18V	DIP7
SDH8312	Low standby power; Adjustable Vo	650V	18Ω	<75mW	0.3A	1W	3.3V~18V	SOP8
SDH8313	Low standby power; Adjustable Vo	650V	10Ω	<75mW	0.5A	1.5W	3.3V~18V	SOP8

Product	Specification	SW Voltage	$R_{ds(on)}$	Standby Power	Adapter Output Power	Open Frame Output Power	Frequency	Package
SD8530AS	PSR, Internal BJT; Low cost	800V	/	<75mW	6W	8W	50kHz	SOP7
SDH8592AS	PSR, Internal MOS; Low standby power	650V	7.2Ω	<40mW	6W	8W	50kHz	SOP7
SDH8593AS	PSR, Internal MOS; Low standby power	650V	5.0Ω	<40mW	8W	10W	50kHz	SOP7
SDH8594AS	PSR, Internal MOS; Low standby power	650V	2.8Ω	<50mW	10W	12W	50kHz	SOP7
SDH8595AS	PSR, Internal MOS; Low standby power	600V	1.8Ω	<50mW	12W	15W	50kHz	SOP7
SD6830	SSR, Internal BJT; Low cost	700V	/	<100mW	12W	12W	50kHz	DIP8
SDH8633	SSR, Internal MOS; Low standby power	650V	3.6Ω	<50mW	12W	15W	65kHz	DIP8
SDH8634	SSR, Internal MOS; Low standby power	650V	2.7Ω	<50mW	18W	22W	65kHz	DIP8
SDH8635	SSR, Internal MOS; Low standby power	650V	1.6Ω	<50mW	24W	28W	65kHz	DIP8
SD4873A	SSR, External MOS	/	/	<75mW	65W	65W	65kHz	SOT23-6L

SDH8302

低成本6W反激隔离方案

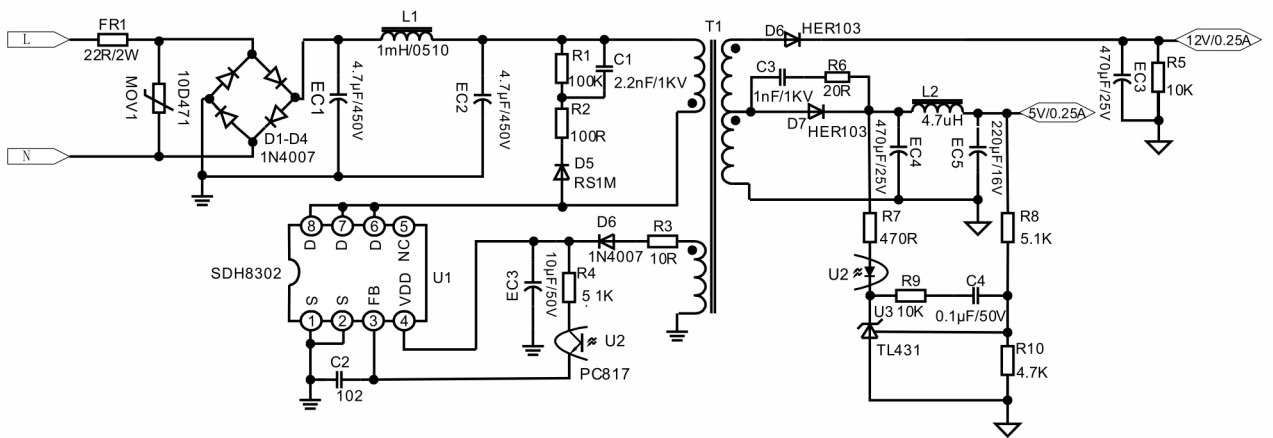
Cost-effective isolate 6W flyback solution



SDH8302

高性能4.2W反激隔离双路输出方案

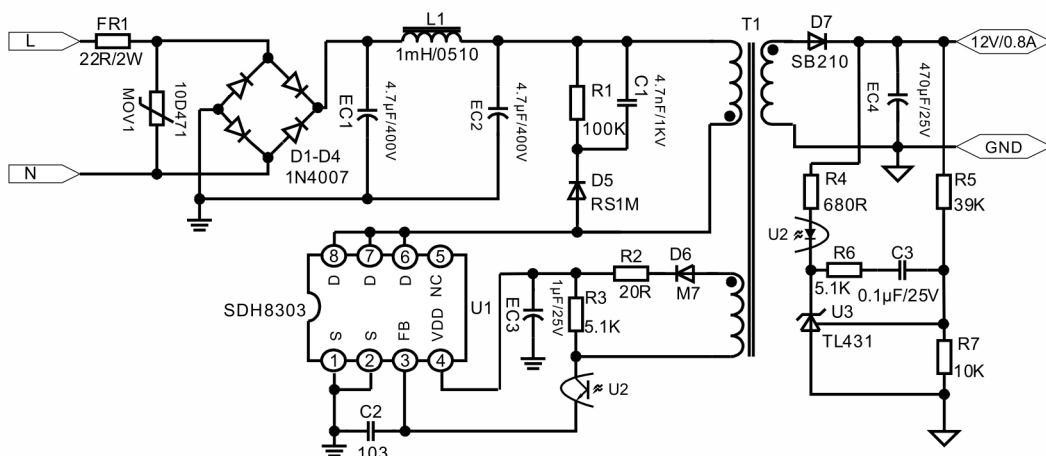
High performance isolated 4.2W dual output flyback solution



SDH8303

高性能10W反激隔离方案

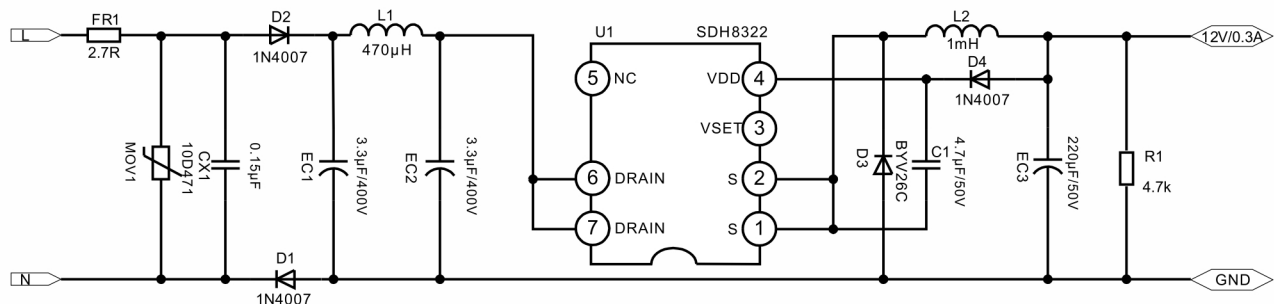
High performance isolated 10W flyback solution



SDH8322

高性能3.6W Buck非隔离方案

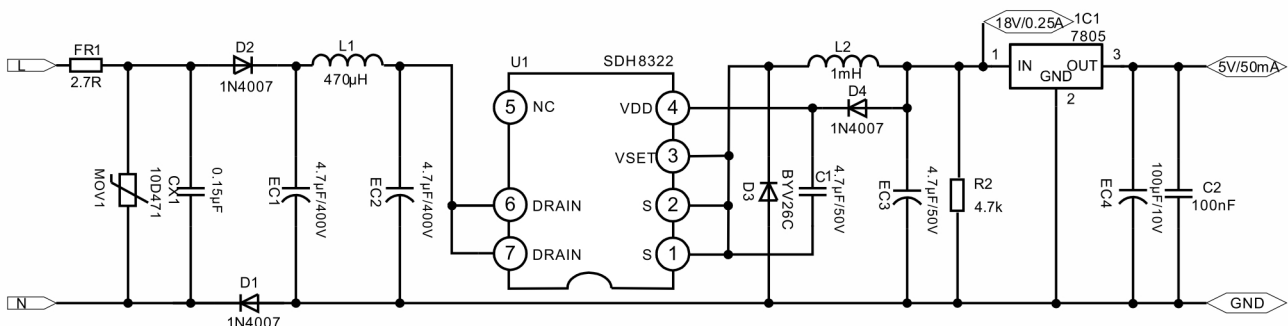
High performance non-isolated 3.6W Buck solution



SDH8322

高性能4.5W+0.25W(LDO) Buck非隔离双路输出方案

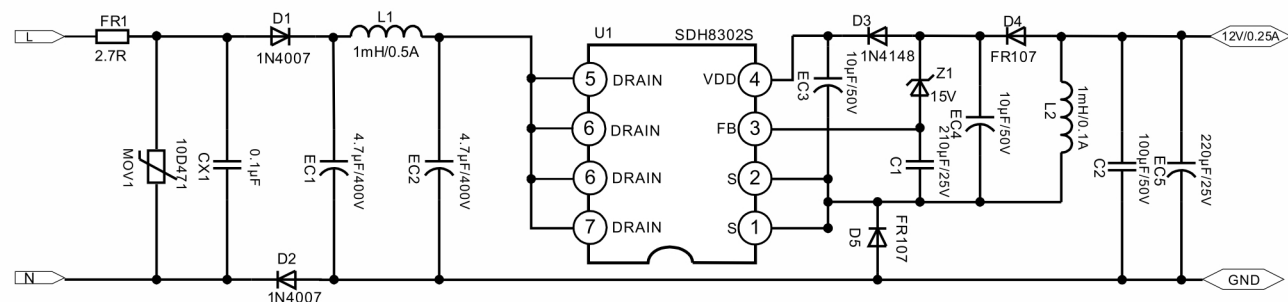
High performance non-isolated 4.5W+0.25W(LDO) dual output Buck solution



SDH8302S

低成本3W Buck非隔离贴片方案

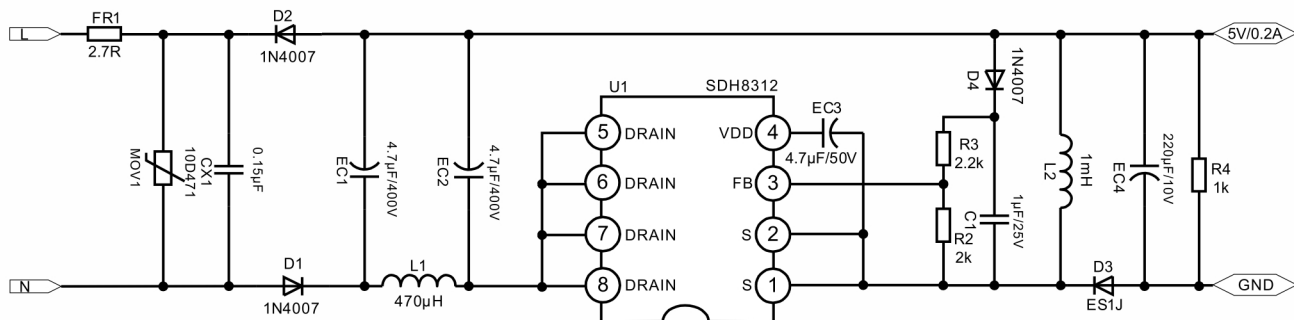
Cost-effective non-isolated 3W SMD Buck solution



SDH8312

低成本1W Buck-Boost非隔离方案

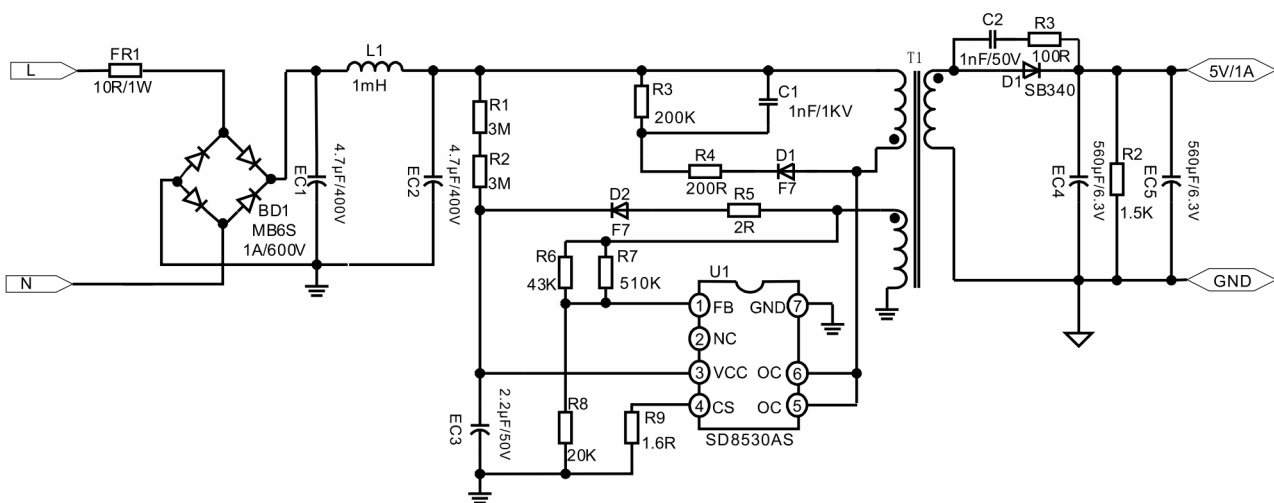
Cost-effective non-isolated 1W Buck-Boost solution



SD8530AS

低成本高耐压5W原边反馈隔离方案

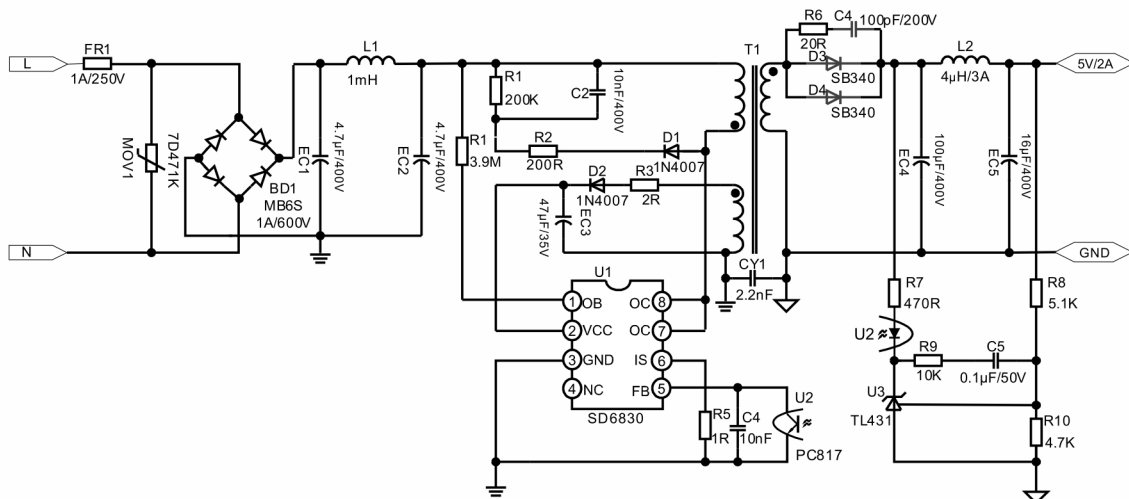
Cost-effective high-BV isolated 5W PSR flyback solution



SD6830

低成本高耐压10W副边反馈隔离方案

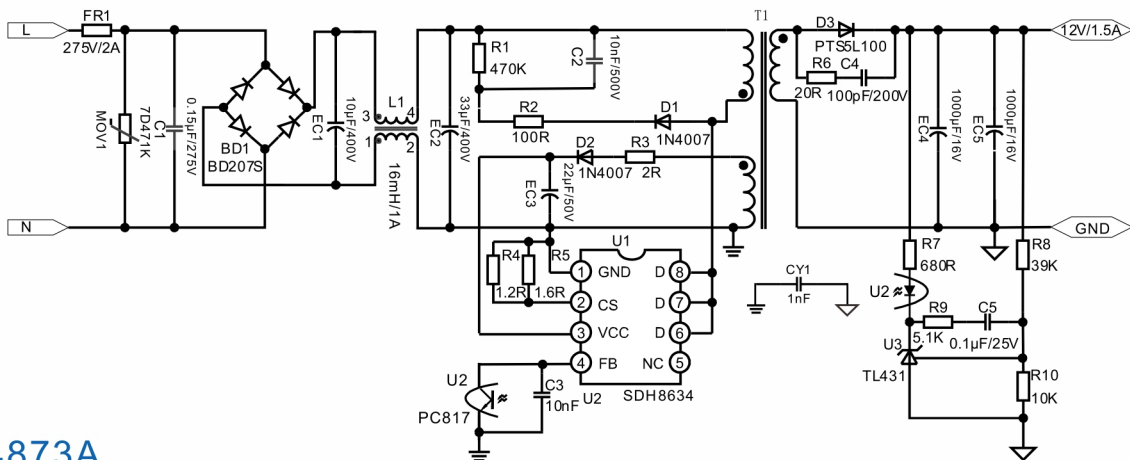
Cost-effective high-BV isolated 10W SSR flyback solution



SDH8634

高性能18W副边反馈隔离方案

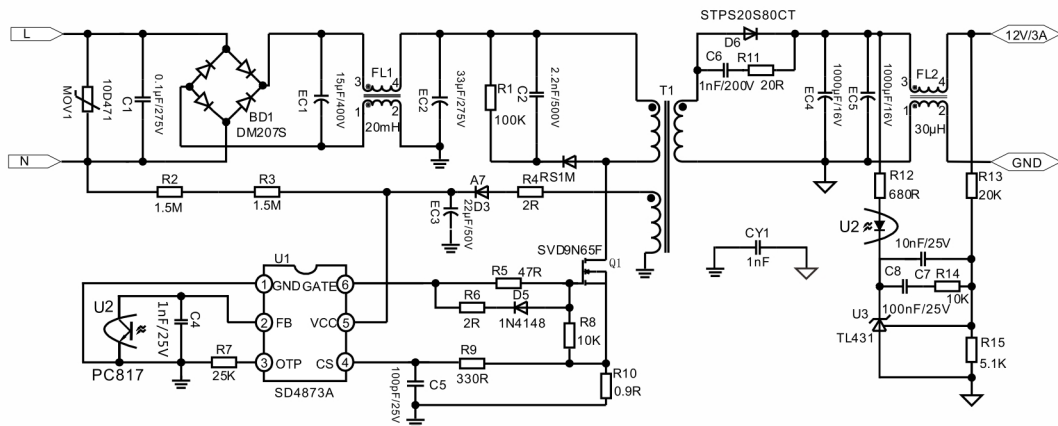
High performance isolated 18W SSR flyback solution



SD4873A

高性能36W副边反馈隔离方案

High performance isolated 36W SSR flyback solution



联系方式 Contact Information

华东地区销售与技术支持

销售 龚科立 手机: 15869027393 Email: gongkeli@silan.com.cn

技术支持 沈军武 手机: 18657175366 Email: shenjunwu@silan.com.cn

华南地区销售与技术支持

销售 张炜 手机: 13502559099 Email: zhangwei@silan.com.cn

技术支持 曹金平 手机: 13603085783 Email: caojinping@silan.com.cn

杭州士兰微电子股份有限公司(总部)

Hangzhou Silan Microelectronics Co.,Ltd.

地址:杭州市黄姑山路4号

邮编Zip:310012

Add:No.4 HuangGuShan Road, HangZhou, China

电话Tel:86-571-88210880

网址Web:www.silan.com.cn



微信扫一扫
内容更丰富